

# arc

Acoustic Pod



Product Catalogue

# How about an Office Pod Felt Less Like a Workspace?

What if an office pod felt less like a workspace and more like a retreat? The answer lies in a design focused on softness. The gentle silhouette minimizes the harshness of the environment, while the upholstered surfaces and acoustic materials transform a fast-paced office into a calming space.

Introducing **ARC**, our latest acoustic pod series designed to elevate your workspace experience.



Solo  
for 



Dual  
for 



Quad  
for 



The modern workplace is a fluid ecosystem of diverse activities—deep focus one moment, collaborative energy the next. Adapting to this rhythm requires spaces that are equally versatile. Acoustic pods answer this need by offering instant, on-demand environments that reconfigure the open floor plan without renovation. They transform underutilized corners into quiet retreats, turn open areas into impromptu meeting spaces, and provide refuge for private calls—all while preserving the office's transparency and flow.

The image shows the interior of a modern office pod. The walls are covered in light-colored, textured fabric panels. A curved wooden shelf is mounted on the wall. In the foreground, a portion of a light-colored upholstered chair is visible. On the right wall, there is a small, dark, rectangular control panel with a glowing blue circular indicator and some text. The overall atmosphere is clean, minimalist, and professional.

# Design for Elevated Work Experience

The design of **ARC** brings a soothing ambiance to an otherwise hectic atmosphere, offering the contemporary mind a curated escape—a sanctuary where focus emerges not through force, but through the serene embrace of inviting materials. Combining acoustic technology with thoughtful design, ARC is an ideal solution for privacy, productivity, and comfort. Whether you're in a busy office, a bustling hotel, or a quiet library, ARC creates a personal sanctuary that adapts to your needs.

# Acoustic, Inside and Out

ARC's acoustic design is crafted to deliver exceptional soundproofing and audio clarity, creating an immersive and distraction-free environment. The side walls are constructed with multiple layers of materials, effectively blocking external noise of various frequency band and ensuring privacy. The interior PET acoustic felt reduces reverberation and sharpens vocal clarity for a smooth remote communication. The unique upholstered exterior helps to reduce the reverberation of the surrounding environment.

Noise reduction  
>30dB

A combination of multiple layers of acoustic material and laminated glass provides excellent soundproofing

Upholstered  
Exterior

enhances the acoustics  
of the surrounding  
environment.

Acoustic felt interior  
keeps the  
Reverberation  
<0.5s

# Freshness, Uninterrupted

The ventilation efficiency of an enclosure cannot be determined solely by the specifications of the fan. Inadequate airflow design can hinder the fan's performance. ARC uses a displacement ventilation design, where both intake and exhaust fans collaborate to reduce internal ventilation resistance. This top-to-bottom airflow effectively removes CO<sub>2</sub> that accumulates near the bottom, preventing its buildup during extended use.

Max Volume

**100**m<sup>3</sup>/h

Refresh within

**60**s

White noise below

**35**dB



# Clarity, Calibrated

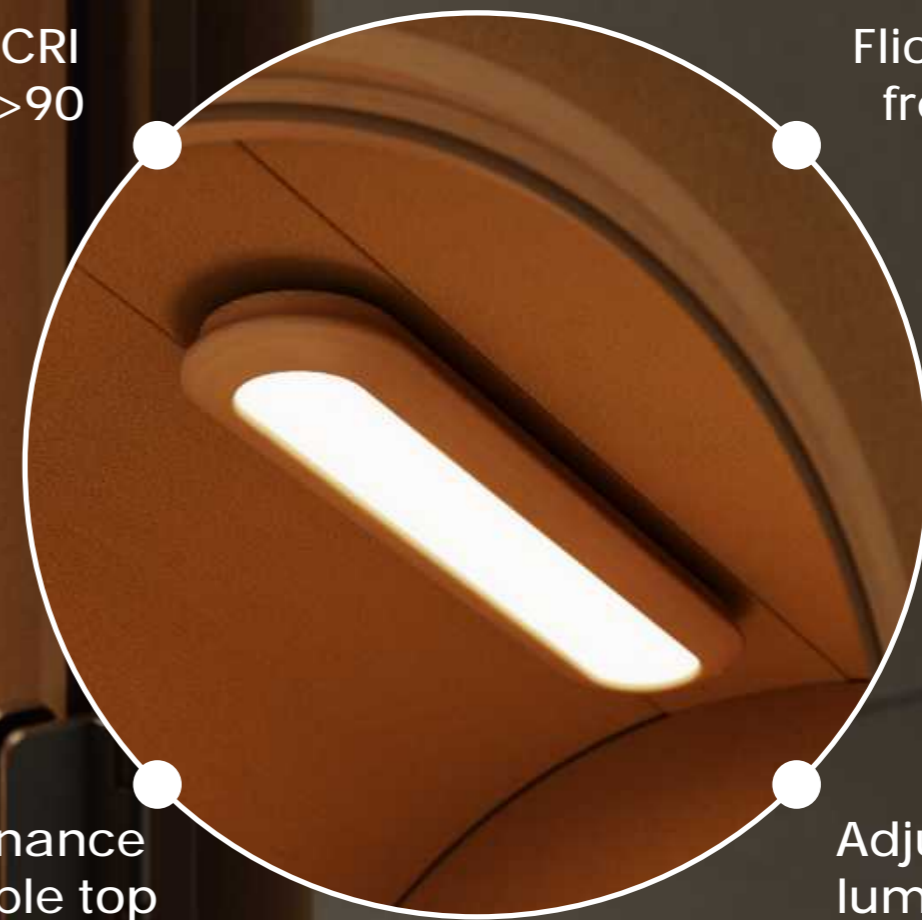
Designed for well-being and comfort, this LED light actively cares for your eyes. Its flicker-free technology and adjustable luminance/color temperature allow you to create the perfect setting for any task—from focused work to relaxed reading. With high-fidelity color rendering and ample illumination, it provides a vibrant, true-to-life light that supports prolonged comfort.

CRI  
>90

Flicker  
free

Luminance  
on table top  
>300lux

Adjustable  
luminance  
& color



# Control, Simplified

The ARC pod features a sleek touchscreen interface that's super easy to use. You can fine-tune the lighting and airflow, or hit a single button to switch to scene modes that set the vibe for getting things done, unwinding, or having a private chat. Plus, it's got power covered with two AC outlets and USB ports of 65W to keep all your devices charged up and ready to go. Everything you need is right at your fingertips.



# Flexibility, Everywhere

Designed for effortless deployment, the ARC pod assembles in under an hour—no construction, no disruption. Integrated casters allow for easy repositioning, so you can adapt your space as needs shift. In minutes, any open area becomes a private sanctuary, ready when you are.



**Light**

Natural ash wood frame  
Strength 0-1800lm,  
Color temperature 3000-6000k

**Occupancy light**

Blue/Orange

**Glass Frame**

Aluminum with wood veneer

**Glass**

5+5 PVB laminated glass

**Air inlet**

**Cloth hook**

Natural ash wood

**Wall**

Fabric+PU acoustic foam,  
plywood, PET acoustic felt,  
Sheet steel, Steel frame

**Door handle**

Natural ash wood

**Integrated Controller**

Touch screen,  
AC outlet\*2,  
65W USB-A+USB-C

**Table**

HPL on birch plywood with  
varnish trim

**Sofa**

PU sponge, Fabric

**Floor**

Steel frame, Plywood board,  
Carpet, Caster wheel, Leveling feet





# Solo for

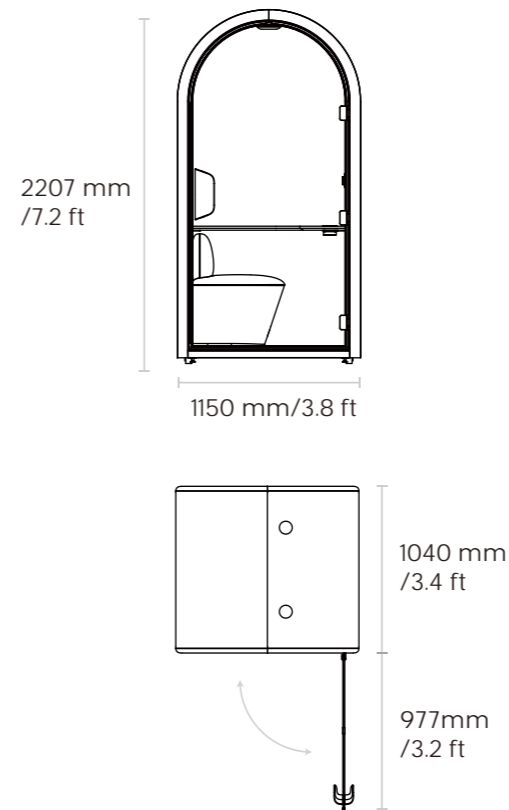
A personal acoustic retreat in just 1hr. With integrated casters for effortless mobility, SOLO can be deployed instantly—creating a focus pod, a phone booth, or a decompression station exactly where and when it's needed. It brings true flexibility to the modern workspace, letting quiet follow you.



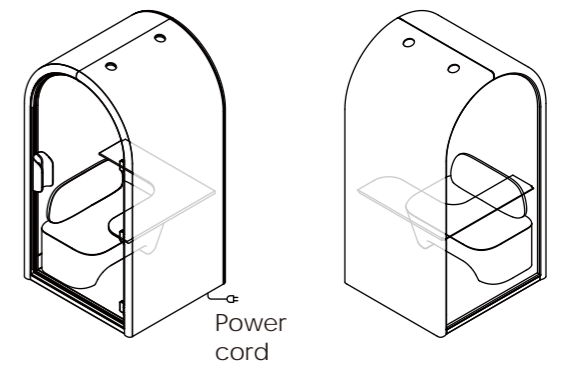
Yolk  
LE9140B-02



# Specification



- Exterior ----- W 1150mm x D 1040mm x H 2207mm  
(W 3.8 ft x D 3.4 ft x H 7.2 ft)
- Interior ----- W 970mm x D 960mm x H 2005mm  
(W 3.2ft x D 3.1ft x H 6.6ft)
- Pod Carton ----- W 2400mm x D 1155mm x H 790mm  
(W 7.9ft x D 3.8ft x H 2.6ft)
- Sofa carton ----- W 949 mm x D 689 mm x H 469 mm  
(W 3.2ft x D 2.3ft x H 1.6ft)
- Pod Weight ----- 270kg(595lbs) Net / 337kg(743lbs) Gross
- Sofa Weight ----- 19kg(42lbs) Net / 22kg(49lbs) Gross
- Doorway ----- 950mm wide(3.1ft)
- Power input ----- 100–240VAC, 50–60Hz, 10A max
- AC outlet ----- 1000W (110V)/ 2100W (220V)
- DC outlet ----- Type-A: 5V-12V, 3.0A; 20V, 1.5A  
Type-C: 5V-12V, 3.0A; 20V, 3.25A  
Type-A+Type-C: 18W MAX+45W MAX
- Power Consumption ----- 2/20/30W (Standby/Standard/Max)



# Variation



Glass back



Solid back

# Dual

for 

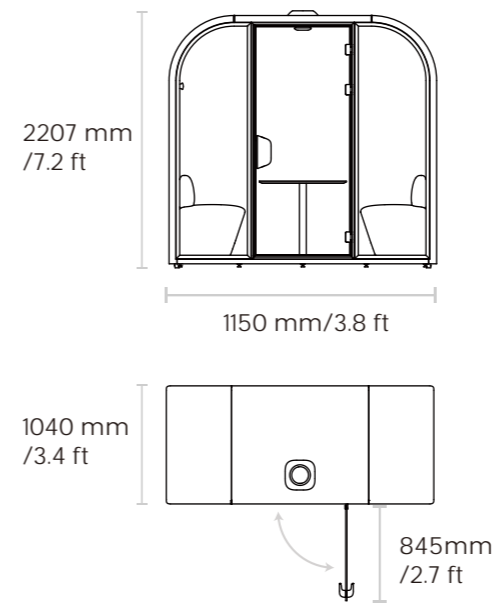
A two-person pod designed to fit where space is tight. Whether placed as a room divider between workstations or tucked into underutilized corridors, DUAL turns overlooked space into productive territory. Face-to-face communication, confidential conversations, or focused independent work—all contained in a sleek, space-sensitive form.



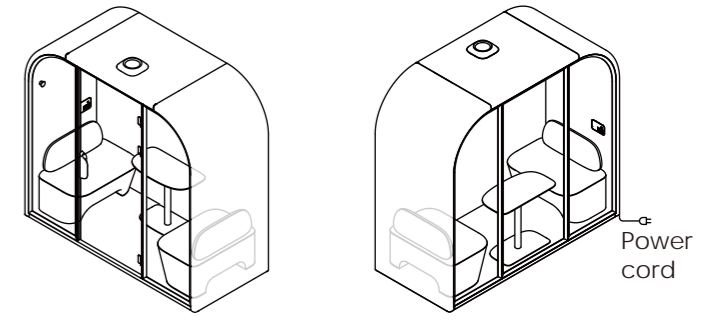
Shadow  
LE9140B-40



# Specification



- Exterior ----- W 2340mm x D 1040mm x H 2207mm (W 7.7ft x D 3.4ft x H 7.2ft)
- Interior ----- W 2160mm x D 960mm x H 2005mm (W 7.1ft x D 3.1ft x H 6.6ft)
- Pod Carton ----- **W 2400mm x D 1155mm x H 790mm (W 7.9ft x D 3.8ft x H 2.6ft)**
- Sofa carton ----- W 949 mm x D 689 mm x H 469 mm (W 3.2ft x D 2.3ft x H 1.6ft) x 2pcs
- Pod Weight ----- **270kg(595lbs) Net / 337kg(743lbs) Gross**
- Sofa Weight ----- 19kg(42lbs) Net/ 22kg(49lbs) Gross x 2pcs
- Doorway ----- 821mm (2.7ft) wide
- Power input ----- 100–240VAC, 50–60Hz, 10A max
- AC outlet ----- 1000W (110V)/ 2100W (220V)
- DC outlet ----- Type-A: 5V-12V, 3.0A; 20V, 1.5A  
Type-C: 5V-12V, 3.0A; 20V, 3.25A  
Type-A+Type-C: 18W MAX+45W MAX
- Power Consumption ----- 2/20/30W (Standby/Standard/Max)



# Variation



Glass back                      Half glass back                      Solid back



# Quad

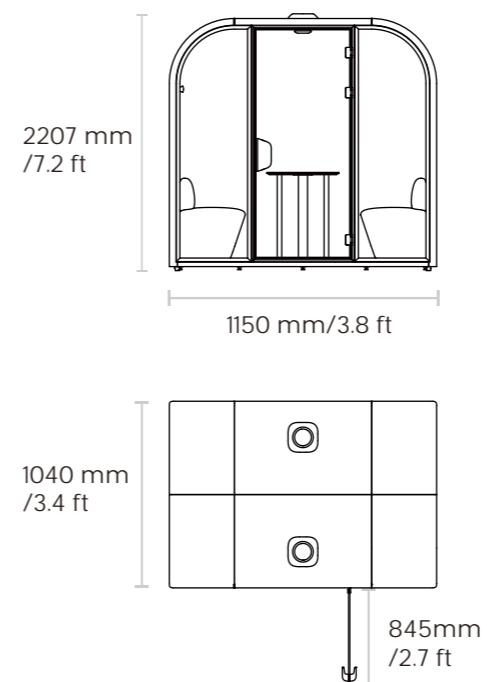
for 

QUAD is a four-person pod that turns any open floor into an instant meeting room. It's where collaboration happens in calm, conversations stay contained, and ideas can flow freely—undisturbed and undisturbing.

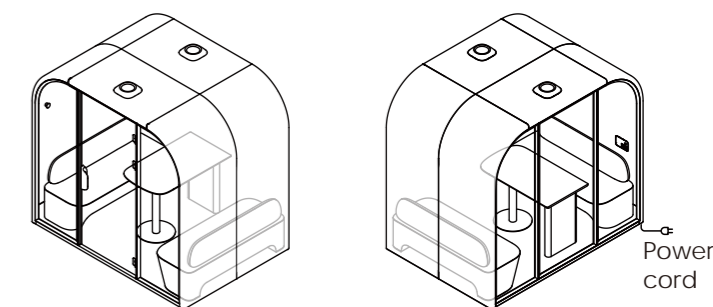
Sage  
LE9140B-16



## Specification



- Exterior ----- W 2340mm x D 1640mm x H 2207mm  
(W 7.7ft x D 5.4ft x H 7.2ft)
- Interior ----- W 2160mm x D 1560mm x H 2005mm  
(W 7.1ft x D 5.1ft x H 6.6ft)
- Pod carton ----- W 2400mm x D 1155mm x H 790mm  
(W 7.9ft x D 3.8ft x H 2.6ft)
- Sofa carton ----- W 1549 mm x D 689 mm x H 469 mm  
(W 5.1ft x D 2.3ft x H 1.6ft) x 2pcs
- Pod weight ----- 270kg(595lbs) Net / 337kg(743lbs) Gross
- Sofa weight ----- 32kg(71lbs) Net/ 38kg(84lbs) Gross x 2pcs
- Doorway ----- 821mm (2.7ft) wide
- Power input ----- 100–240VAC, 50–60Hz, 10A max
- AC outlet ----- 1000W (110V)/ 2100W (220V)
- DC outlet ----- Type-A: 5V-12V, 3.0A; 20V, 1.5A  
Type-C: 5V-12V, 3.0A; 20V, 3.25A  
Type-A+Type-C: 18W MAX+45W MAX
- Power Consumption ----- 2/20/30W (Standby/Standard/Max)



## Variation



Glass back



Half glass back



Solid back



# Oat

LE9140B-18

# Haze

LE9140B-26



Teal  
LE9140B-27



Blush  
LE9140B-37

# Flame

LE9140B-43



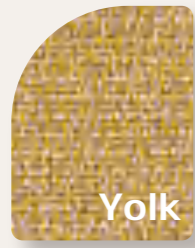
# Navy

LE9140B-49

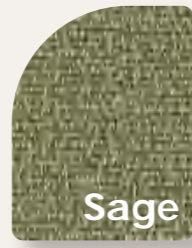


# Colors

## Fabric



LE9140B-02



LE9140B-16



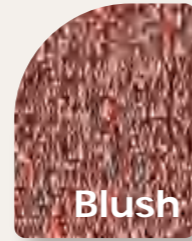
LE9140B-18



LE9140B-26



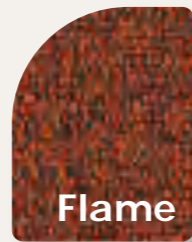
LE9140B-27



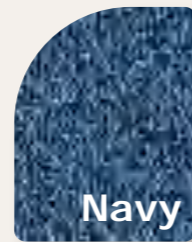
LE9140B-37



LE9140B-40

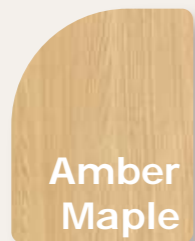


LE9140B-43



LE9140B-49

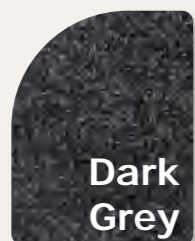
## Table Top



Amber  
Maple

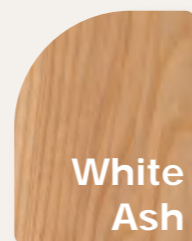
7012 NT

## Carpet



Dark  
Grey

Door handle  
Cloth hook  
Lamp frame



White  
Ash



